

Joystick Switches



More than safety.

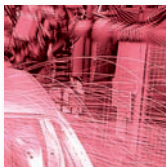


EUCHNER

More than safety.



Emil Euchner, the company's founder and inventor of the multiple limit switch, circa 1928.



Around the world – the Swabian specialists in motion sequence control for mechanical and systems engineering.

EUCHNER's history began in 1940 with the establishment of an engineering office by Emil Euchner. Since that time, EUCHNER has been involved in the design and development of switchgear for controlling a wide variety of motion sequences in mechanical and systems engineering. In 1953, Emil Euchner founded EUCHNER + Co., a milestone in the company's history. In 1952, he developed the first multiple limit switch – to this day a symbol of the enterprising spirit of this family-owned company.

Automation – Safety – ManMachine

Today, our products range from electromechanical and electronic components to complex system solutions. With this wide range of products we can provide the necessary technologies to offer the right solution for special requirements – regardless of whether these relate to reliable and precise positioning or to components and systems for safety engineering in the automation sector.

EUCHNER products are sold through a world-wide sales network of competent partners. With our closeness to the customer and the guarantee of reliable solutions throughout the globe, we enjoy the confidence of customers all over the world.

Quality, reliability, precision

Quality, reliability and precision are the hallmarks of our corporate philosophy. They represent concepts and values to which we feel totally committed.

At EUCHNER, quality means that all our employees take personal responsibility for the company as a whole and, in particular, for their own field of work. This individual commitment to perfection results in products which are ideally tailored to the customers' needs and the requirements of the market. After all: our customers and their needs are the focus of all our efforts. Through efficient and effective use of resources, the promotion of personal initiative and courage in finding unusual solutions to the benefit of our customers, we ensure a high level of customer satisfaction. We familiarize ourselves with their needs, requirements and products and we learn from the experiences of our customers' own customers.

EUCHNER – More than safety.



Quality – made by EUCHNER

Joystick switches

Application		4
Design and function		4
Advantages/features		4
Series		5
Series WK...	Control panel installation to IEC 947-5-1 D30	6
Series WE...	Control panel installation at rear or with front plate	8
Series KB...	Control panel installation to IEC 947-5-1 D30	10
Series KF...	Control panel installation at rear	12
Series KE...	Control panel installation to IEC 947-5-1 D22	14
Series KC...	Control panel installation at rear or with front plate	16
Series KP...	Analog Joystick Control panel installation at rear or with front plate	19
Universal Power Supply Unit P1/P2 for series KP joysticks		22
Housing HBL		23
Housing HBE		24
Front plates for housing HBL and HBE		25

Application

Joystick switches or joysticks are manually actuated control devices for installation in control and front panels as well as in portable control equipment. They are used wherever motion sequences analogous to the actuation direction are controlled by hand. They are ideal for raising, lowering and triggering movements to the right and left, just to name some few possibilities.

EUCHNER joysticks are used in the steel and construction industry, in machine tools, for transport and conveyor systems, in the system and mechanical engineering sectors and for warehousing, medical and studio technology. With the ® (Germanischer Lloyd) certification, the devices are approved for use in the ship-building industry.

EUCHNER joysticks are also used for radio and cable controls, building machinery and cranes.



Joysticks as control equipment in remote control devices



Remote cable control for concrete pumps



Design and function

Microswitches with a step function response are used as switching elements. Due to the intermittent control, a clear switching function is given for precise control systems. Depending on the respective application, switching elements with a power rating of between 4mA and 16A can be used. These are fixed on the mounting plate for each different series, either individually or in groups. The switching elements are actuated by the joystick being moved out of the intermediate position. The robust levers made of stainless steel are bedded with a hinged ball bearing that is fixed in a front plate.

Advantages/features

Direction of movement:

- ▶ Simplification of the command control station
- ▶ Easy mounting due to the slots in the panel
- ▶ Small space requirement
- ▶ Long service life
- ▶ Robust and lasting construction
- ▶ High protection class: IP 65 and beyond

Models

EUCHNER joystick switches are available in a number of different models:



Series WK...
(page 6)



Series WE...
(page 8)



Series KB...
(page 10)



Series KF...
(page 12)



Series KE...
(page 14)



Series KC...
(page 16)



Series KP...
(page 19)



Housing kits
(from page 22)
suitable for series
WK, KB, KE
and KF

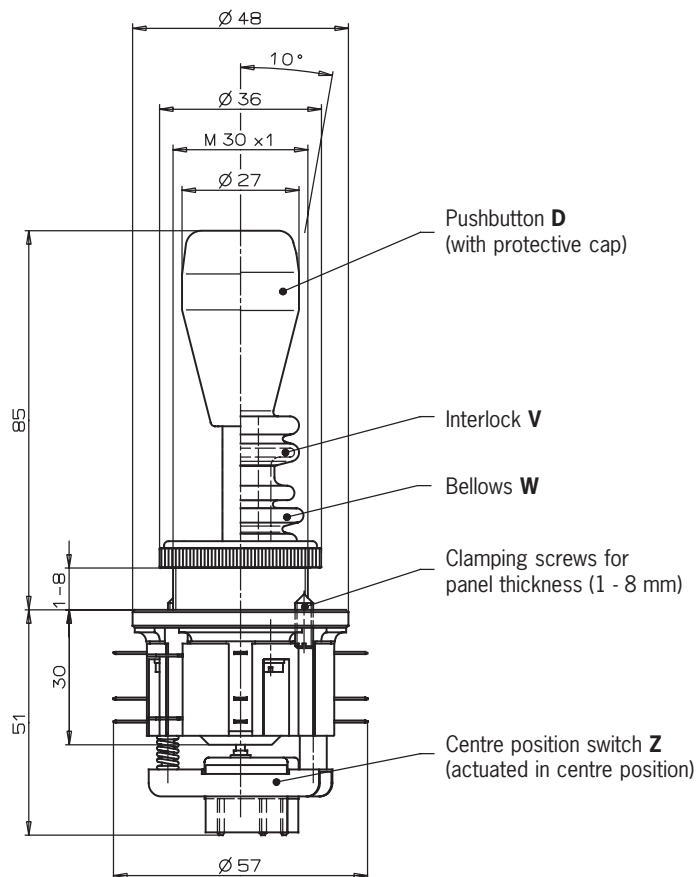
Series WK...

Germanischer Lloyd
Certificate no. 17 041 - 00 HH

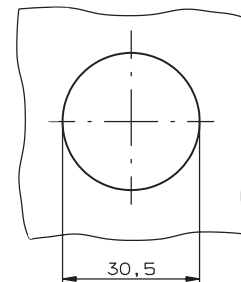


- ▶ Control panel installation to IEC 947-5-1 D30
- ▶ 1 to 8 actuating directions with spring return operation or combined
- ▶ One changeover contact with tab connector 2.8 x 0.5 IEC 760 for each actuating direction
- ▶ Centre position switch
- ▶ Pushbutton in handle

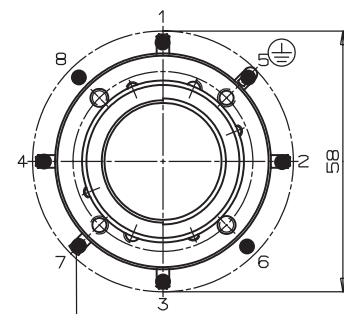
Dimension drawing



Panel cutout



Actuating directions



Connection **D**
(the connection is located on the underside for types with 8 directions)

Ordering code

W	K			
----------	----------	--	--	--

Series _____

Actuating direction and switching behavior

Stayput switch **S** (switching lever latches in selected position)
Spring return switch **T** (switching lever returns to centre position)

Options

Pushbutton **D**
Bellows **W**
Interlock **V**
Centre position switch **Z**
All-round actuation **R**

Technical data

Parameters	Value	Unit
Housing material	glass-fibre reinforced thermoplastic / aluminum	
Switching lever material	stainless steel	
Degree of protection to IEC 529 on actuating side with / without bellows	IP65 / IP54	
Mounting method	IEC 947-5-1 D30	
Weight	approx. 0.17	kg
Mechanical life	1x10 ⁶ switching cycles	
Ambient temperature with spring return switch	-5 to +65	°C
Ambient temperature with stayput switch	-25 to +65	°C
Max. number of switching elements	8	
Connection type	tab connector 2.8 x 0.5 IEC 760	
Contact elements	changeover contact C IEC 947-5-1	
Switching principle	snap-action switch, type ES 584	
Rated insulation voltage U _i	250	V
Rated impulse withstand voltage U _{imp}	2.5	kV
Utilization category AC 15	230 V / 4 A	
Utilization category DC 13	24 V / 2 A	
Min. switching current at 24 V	12	mA
Min. switching voltage	10	V
Contact material	silver alloy, gold on request	
Short circuit protection (control circuit fuse)	slow-blow T6 / quick-blow F10	A
Max. number of actuating directions	8	
All-round actuation R (spring return switch only)	actuation of 1 switching element (vertical or horizontal) or 2 adjacent switching elements (diagonal) simultaneously, with 8 microswitches *	
Switching positions per direction	1	
Stayput switch S (latching)	according to type designation	
Spring return switch T	according to type designation	
Bellows W	Option	
Interlock V in centre position	Option	
Centre position switch Z	Option	
Pushbutton D	Option	
Degree of protection to IEC 529	IP65	
Electrical life	5x10 ⁴ switching cycles at 0.7 A / 250 V AC	
Switching element	1 x NO contact	
Utilization category AC 15	230 V / 2 A	
Utilization category DC 13	24 V / 1 A	
Min. switching current at 24 V	12	mA
Min. switching voltage	10	V
Actuating force	< 8	N
Actuating travel	approx. 3	mm

Ordering examples:

Joystick switch series **WK**, actuating directions **1+3** stayput switch **S**,
actuating directions **2+4** spring return switch **T**, Pushbutton **D**, centre position switch **Z**,
Interlock **V** in centre position

WK S13 T24 DZV

Joystick switch series **WK**, 8 switching elements as spring return switches, all-round actuation **R**

WK T1-8 R

Design

Joystick switch series **WK**, 4 switching elements, 2 actuating directions
(2 switching elements per actuating direction)

on request

* Diagonal actuation of 4 adjacent switching elements is on request.

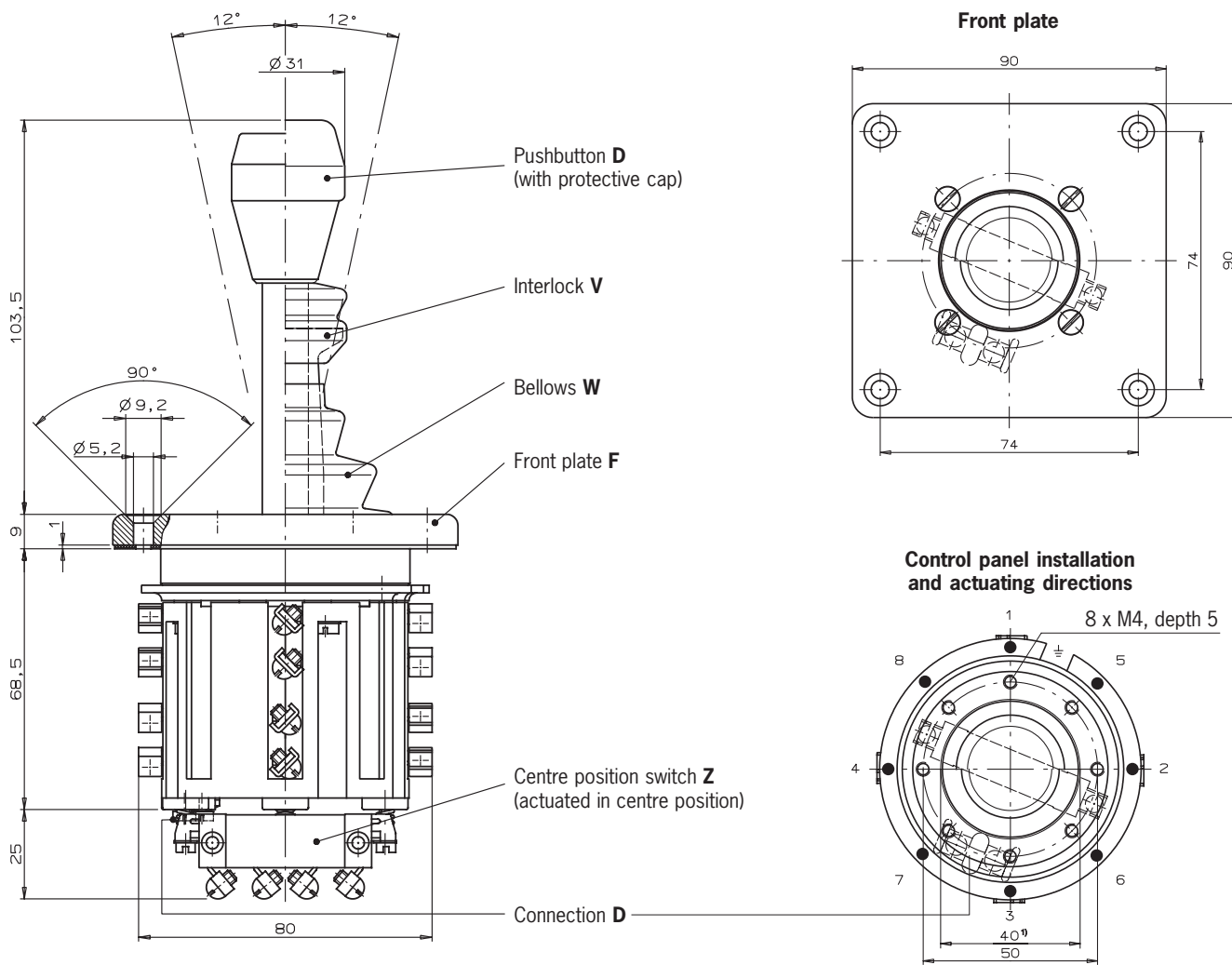
Series WE...

Germanischer Lloyd
Certificate no. 17 041 - 00 HH



- ▶ Control panel installation at rear or with front plate
- ▶ 1 to 8 actuating directions with stayput or spring return operation or combined
- ▶ One changeover contact with screw terminal for each actuating direction
- ▶ Centre position switch
- ▶ Pushbutton in handle

Dimension drawing



Ordering code

W	E		
----------	----------	--	--

Series _____

Actuating direction and switching behavior

Stayput switch **S** (switching lever latches in selected position)
Spring return switch **T** (switching lever returns to centre position)

Options

Pushbutton **D**
Bellows **W**
Interlock **V**
Centre position switch **Z**
All-round actuation **R**
Front plate **F**

Technical data

Parameters	Value	Unit
Housing material	glass-fibre reinforced thermoplastic / aluminum	
Switching lever material	galvanized steel	
Degree of protection to IEC 529 on actuating side with / without bellows	IP65 / IP54	
Mounting method	control panel installation at rear or with front plate	
Weight	approx. 0.65	kg
Mechanical life	1x10 ⁶ switching cycles	
Ambient temperature with spring return switch	-5 to +65	°C
Ambient temperature with stayput switch	-25 to +65	°C
Max. number of switching elements	8	
Connection type	screw terminal	
Contact elements	changeover contact Za IEC 947-5-1	
Switching principle	snap-action switch, type ES 502V1	
Rated insulation voltage U _i	250	V
Rated impulse withstand voltage U _{imp}	2.5	kV
Utilization category AC 15	230 V / 10 A	
Utilization category DC 13	24 V / 4 A	
Min. switching current at 24 V	50	mA
Min. switching voltage	24	V
Contact material	silver alloy	
Short circuit protection (control circuit fuse)	slow-blow T16 / quick-blow F25	A
Max. number of actuating directions	8	
All-round actuation R (spring return switch only)	1 switching element is actuated per actuating direction	
Switching positions per direction	1	
Stayput switch S (latching)	according to type designation	
Spring return switch T	according to type designation	
Bellows W	Option	
Interlock V in centre position	Option	
Centre position switch Z	Option	
Pushbutton D	Option	
Degree of protection to IEC 529	IP65	
Electrical life	5x10 ⁴ switching cycles at 0.7 A / 250 V AC	
Switching element	1 x NO contact	
Utilization category AC 15	230 V / 2 A	
Utilization category DC 13	24 V / 1 A	
Min. switching current at 24 V	12	mA
Min. switching voltage	10	V
Actuating force	< 8	N
Actuating travel	approx. 3	mm

Ordering examples:

Joystick switch series **WE**, actuating directions **1+3** stayput switch **S**,
actuating directions **2+4** spring return switch **T**, Pushbutton **D**, centre position switch **Z**,
Interlock **V** in centre position

WE S13 T24 DZV

Joystick switch series **WE**, 8 switching elements as spring return switches, all-round actuation **R**

WE T1-8 R

Design

Joystick switch series **WE**, 4 switching elements, 2 actuating directions
(2 switching elements per actuating direction)

on request

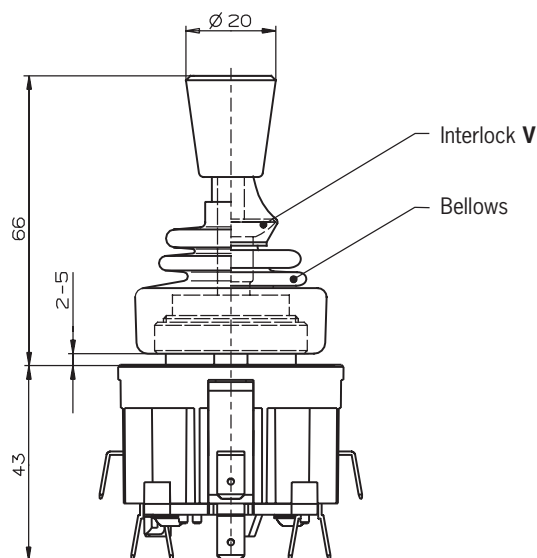
Series KB...

Germanischer Lloyd
Certificate no. 17 041 - 00 HH

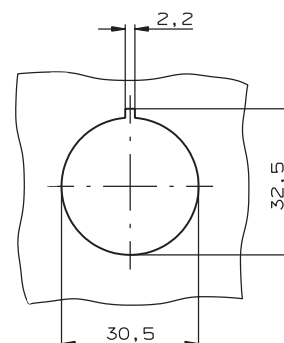


- ▶ Control panel installation to IEC 947-5-1 D30
- ▶ 1 to 8 actuating directions, 4 switching elements. With stayput or spring return operation or combined
- ▶ One changeover contact with tab connector 6.3 x 0.8 IEC 760 for each actuating direction

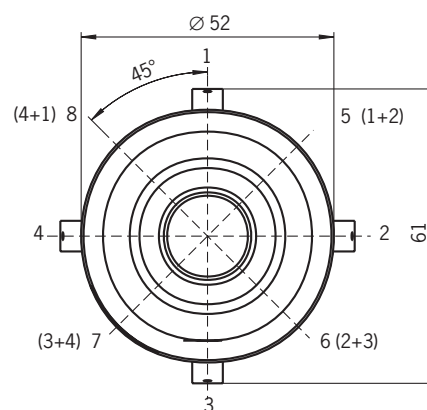
Dimension drawing



Panel cutout



Actuating directions



Ordering code

K	B			
----------	----------	--	--	--

Series _____

Actuating direction and switching behavior _____

Stayput switch **S** (switching lever latches in selected position)
Spring return switch **T** (switching lever returns to centre position)

Options _____

Interlock **V**
All-round actuation **R**¹⁾

1) Simultaneous actuation of 2 adjacent switching elements in diagonal actuating directions.

Technical data

Parameters	Value	Unit
Housing material	Thermoset	
Switching lever material	stainless steel	
Degree of protection to IEC 529 on actuating side with bellows	IP65	
Mounting method	IEC 947-5-1 D30	
Weight	approx. 0.2	kg
Mechanical life	spring return switch stayput switch	2x10 ⁶ switching cycles 1x10 ⁶ switching cycles
Ambient temperature with spring return switch	-5 to +65	°C
Ambient temperature with stayput switch	-25 to +65	°C
Max number of switching elements	4	
Connection type	tab connector 6.3 x 0.8 screw terminal on request	IEC 760
Contact elements	changeover contact C IEC 947-5-1	
Switching principle	snap-action switch, type ES 517 A	
Rated insulation voltage U _i	250	V
Rated impulse withstand voltage U _{imp}	2.5	kV
Utilization category AC 15	230 V / 5 A	
Utilization category DC 13	24 V / 3 A	
Min. switching current at 24 V	10	mA
Min. switching voltage	12	V
Contact material	silver alloy	
Short circuit protection (control circuit fuse)	T10 / F20	A
Max. number of actuating directions	8	
All-round actuation R (spring return switch only)	actuation of 1 switching element (vertical or horizontal) or 2 adjacent switching elements (diagonal) simultaneously	
Switching positions per direction	1	
Stayput switch S (latching)	according to type designation	
Spring return switch T	according to type designation	
Interlock V in centre position	Option	

Ordering examples:

Joystick switch series **KB**, actuating directions **1+3** stayput switch **S**,
actuating directions **2+4** spring return switch **T**

KB S13 T24

Joystick switch series **KB**, actuating directions **1+3** spring return switch **T**,
Interlock **V** in centre position

KB T13 V

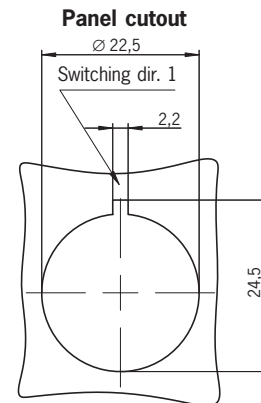
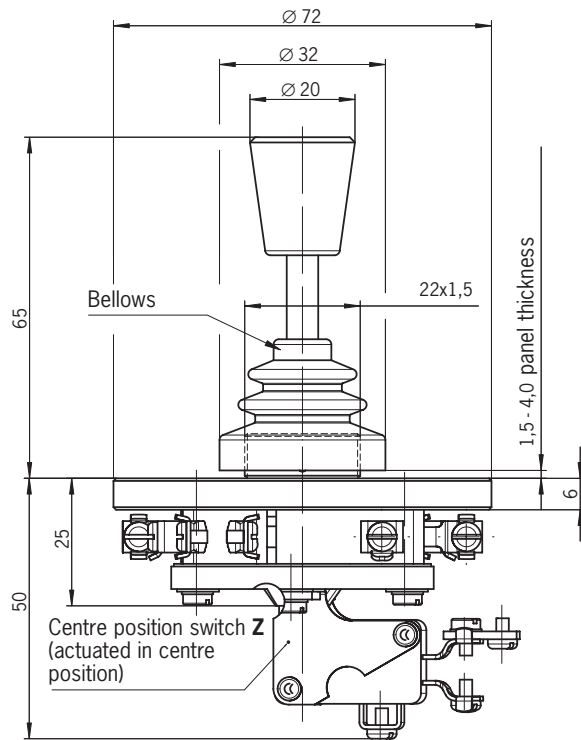
Series KF...

Germanischer Lloyd
Certificate no. 17 041 - 00 HH

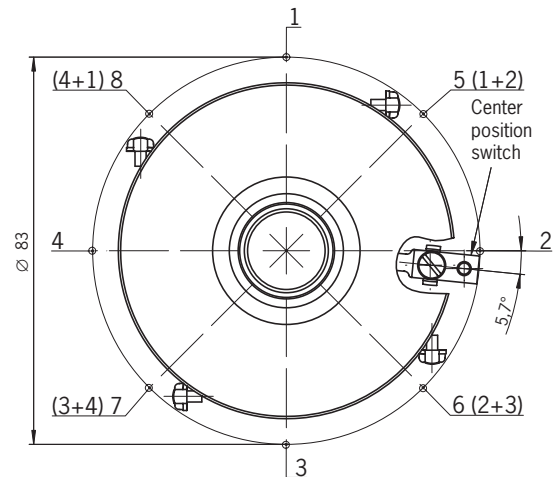


- ▶ Control panel installation at rear
- ▶ 1 to 8 actuating directions, 4 switching elements. With stayput or spring return operation or combined
- ▶ One changeover contact with screw terminal for each actuating direction
- ▶ Centre position switch

Dimension drawing



Actuating directions



Ordering code

K	F			
----------	----------	--	--	--

Series _____

Actuating direction and switching behavior

Stayput switch **S** (switching lever latches in selected position)
Spring return switch **T** (switching lever returns to centre position)

Options

Centre position switch **Z**
All-round actuation **R**¹⁾

1) Simultaneous actuation of 2 adjacent switching elements in diagonal actuating directions.

Technical data

Parameters	Value	Unit
Housing material	Thermoset	
Switching lever material	stainless steel	
Degree of protection to IEC 529 on actuating side with bellows	IP65	
Mounting method	panel installation at rear	
Weight	approx. 0.2	kg
Mechanical life	1x10 ⁶ switching cycles	
Ambient temperature with spring return switch	-25 to +65	°C
Ambient temperature with stayput switch	-25 to +65	°C
Max. number of switching elements	4	
Connection type	screw terminal	
Contact elements	changeover contact C IEC 947-5-1	
Switching principle	snap-action switch, type ES 517	
Rated insulation voltage U _i	250	V
Rated impulse withstand voltage U _{imp}	2.5	kV
Utilization category AC 15	230 V / 5 A	
Utilization category DC 13	24 V / 3 A	
Min. switching current at 24 V	10	mA
Min. switching voltage	12	V
Contact material	silver alloy	
Short circuit protection (control circuit fuse)	slow-blow T10 / quick-blow F20	A
Max. number of actuating directions	8	
All-round actuation R	actuation of 1 switching element (vertical or horizontal) or 2 adjacent switching elements (diagonal) simultaneously	
Switching positions per direction	1	
Stayput switch S (latching)	according to type designation	
Spring return switch T	according to type designation	
Centre position switch Z	Option	

Ordering examples:

Joystick switch series **KF**, actuating directions **1+3** stayput switch **S**,
actuating directions **2+4** spring return switch **T**, centre position switch **Z**

KF S13 T24 Z

Joystick switch series **KF**, actuating directions **1-4** spring return switch **T**,
all-round actuation **R**

KF T1234 R

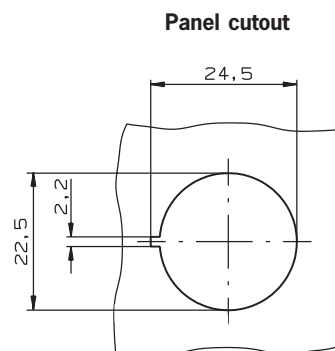
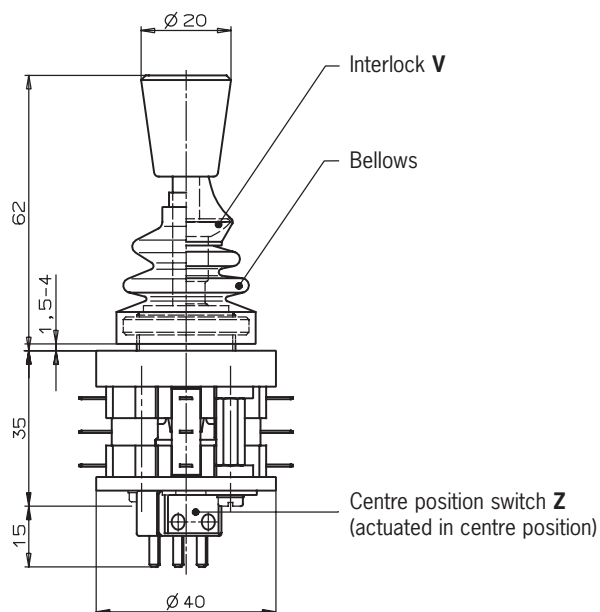
Series KE...

Germanischer Lloyd
Certificate no. 17 041 - 00 HH

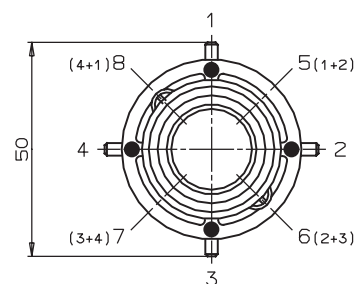


- ▶ Control panel installation to IEC 947-5-1 D22
- ▶ 1 to 8 actuating directions, 4 switching elements. With stayput or spring return operation or combined
- ▶ One changeover contact with tab connector 2.8 x 0.5 IEC 760 for each actuating direction
- ▶ Centre position switch

Dimension drawing



Actuating directions



Ordering code

K	E		
----------	----------	--	--

Series

Actuating direction and switching behavior

Stayput switch **S** (switching lever latches in selected position)
Spring return switch **T** (switching lever returns to centre position)

Options

Interlock **V**
Centre position switch **Z**
All-round actuation **R**¹⁾

1) Simultaneous actuation of 2 adjacent switching elements in diagonal actuating directions.

Technical data

Parameters	Value	Unit
Housing material	Thermoset	
Switching lever material	stainless steel	
Degree of protection to IEC 529 on actuating side with bellows	IP65	
Mounting method	IEC 947-5-1 D22	
Weight	approx. 0.1	kg
Mechanical life	1x10 ⁶ switching cycles	
Ambient temperature with spring return switch	-25 to +65	°C
Ambient temperature with stayput switch	-25 to +65	°C
Max. number of switching elements	4	
Connection type	tab connector 2.8 x 0.5 IEC 760	
Contact elements	changeover contact C IEC 947-5-1	
Switching principle	snap-action switch, type ES 587	
Rated insulation voltage U _i	250	V
Rated impulse withstand voltage U _{imp}	2.5	kV
Utilization category AC 15	230 V / 4 A	
Utilization category DC 13	24 V / 2 A	
Min. switching current at 24 V	12	mA
Min. switching voltage	10	V
Contact material	silver alloy	
Short circuit protection (control circuit fuse)	slow-blow T10 / quick-blow F20	A
Max. number of actuating directions	8	
All-round actuation R	actuation of 1 switching element (vertical or horizontal) or 2 adjacent switching elements (diagonal) simultaneously	
Switching positions per direction	1	
Stayput switch S (latching)	according to type designation	
Spring return switch T	according to type designation	
Interlock V in centre position	Option	
Centre position switch Z	Option	

Ordering examples:

Joystick switch series **KE**, actuating directions **1+3** stayput switch **S**,
actuating directions **2+4** spring return switch **T**, centre position switch **Z**

KE S13 T24 Z

Joystick switch series **KE**, actuating directions **1+3** spring return switch **T**,
Interlock **V** in centre position

KE T13 V

Joystick switch series **KE**, actuating directions **1-4** Spring return switch **T**,
all-round actuation **R**

KE T1234 R

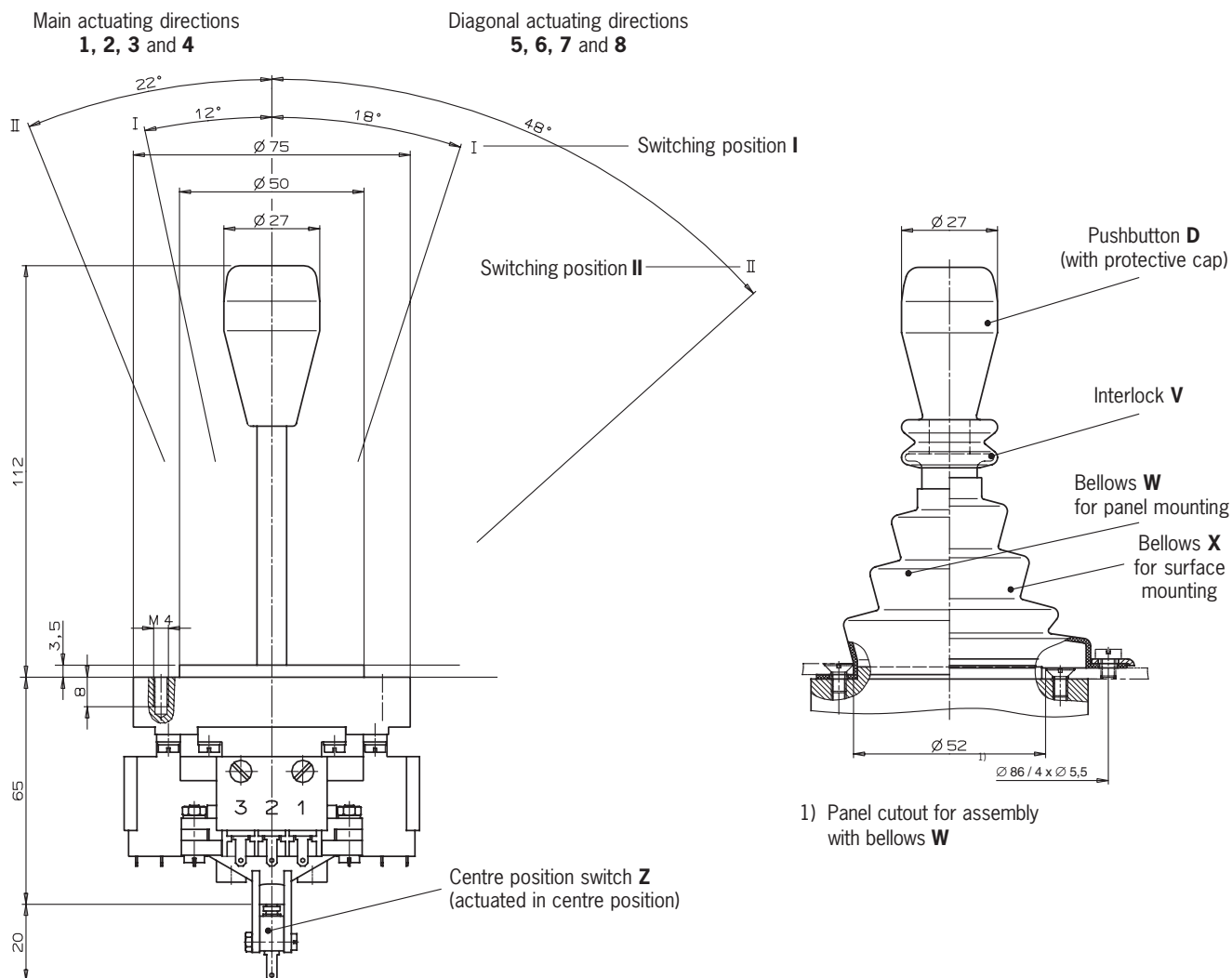
Series KC...

Germanischer Lloyd
Certificate no. 17 041 - 00 HH



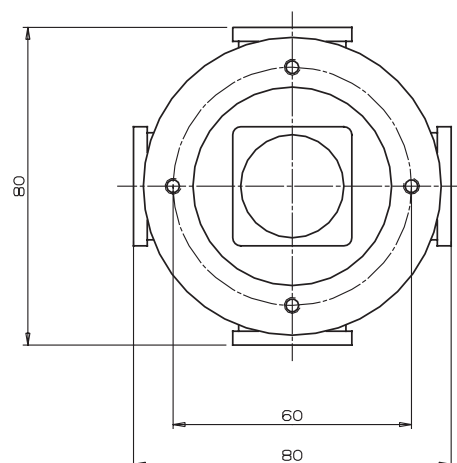
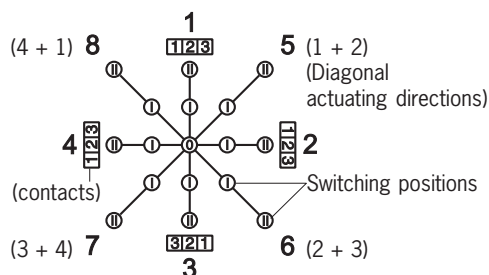
- ▶ control panel installation at rear or with front plate
- ▶ 1 to 8 actuating directions with 1 or 2 switching positions for each actuating direction
- ▶ Switching positions as stayput or spring return operation in various combinations
- ▶ Centre position switch
- ▶ Pushbutton in handle

Dimension drawing



Actuating directions

Top view of actuating lever



Technical data

Parameters	Value	Unit
Housing material	glass-fibre reinforced thermoplastic / aluminum	
Switching lever material	galvanized steel	
Degree of protection to IEC 529 on actuating side with / without bellows	IP65 / IP50	
Mounting method	control panel installation at rear or with front plate	
Weight	approx. 0.75	kg
Mechanical life	1x10 ⁶ switching cycles	
Ambient temperature with spring return switch	-5 to +65	°C
Ambient temperature with stayput switch	-25 to +65	°C
Max. number of switching elements	3 per direction	
Connection type	tab connector 2.8 x 0.5 IEC 760 (ES 584) screw terminal (ES 556)	
Contact elements	changeover contact C IEC 947-5-1	
Switching principle	snap-action switch, type ES 584 or ES 556	
Rated insulation voltage U _i	250	V
Rated impulse withstand voltage U _{imp}	2.5	kV
Utilization category AC 15	230 V / 4 A	
Utilization category DC 13	24 V / 2 A	
Min. switching current at 24 V	12	mA
Min. switching voltage	10	V
Contact material	silver alloy	
Short circuit protection (control circuit fuse)	slow-blow T6 / quick-blow F10	A
Max. number of actuating directions	8	
All-round actuation R (spring return switch only)	actuation of 1 switching element (vertical or horizontal) or 2 adjacent switching elements (diagonal) simultaneously	
Switching positions per direction	1 or 2	
Stayput switch S (latching)	according to type designation	
Spring return switch T	according to type designation	
Bellows W, X	Option	
Interlock V in centre position or position I	Option	
Centre position switch Z	Option	
Pushbutton D	Option	
Degree of protection to IEC 529	IP65	
Electrical life	5x10 ⁴ switching cycles at 0.7 A / 250 V AC	
Contact elements	1 x NO contact	
Utilization category AC 15	230 V / 2 A	
Utilization category DC 13	24 V / 1 A	
Min. switching current at 24 V	12	mA
Min. switching voltage	10	V
Actuating force	< 8	N
Actuating travel	approx. 3	mm

Ordering examples: (see type code on page 18)

Joystick switch series **KC** with tab connector, main actuating direction 1 with 3 switching elements. As spring return switch in switching position I.

KCA3A5C005C0000V1

As stayput switch in switching position II.

Main actuating directions 2 and 4 with 2 switching elements each. As stayput switch in switching positions I and II. Main actuating direction 3 not used. Option **V1** (mech. interlock from switching position I to switching position II)

Joystick switch series **KC** with screw terminal, main actuating directions **1-4** as stayput switch. **S** with one switching element each, diagonal actuating directions **5-8**, Pushbutton **D**, bellows **W** for panel mounting.

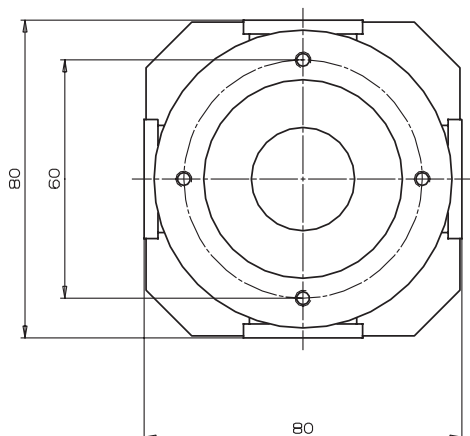
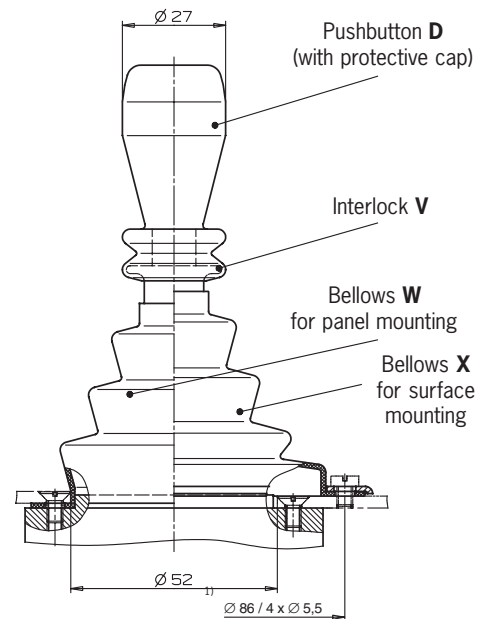
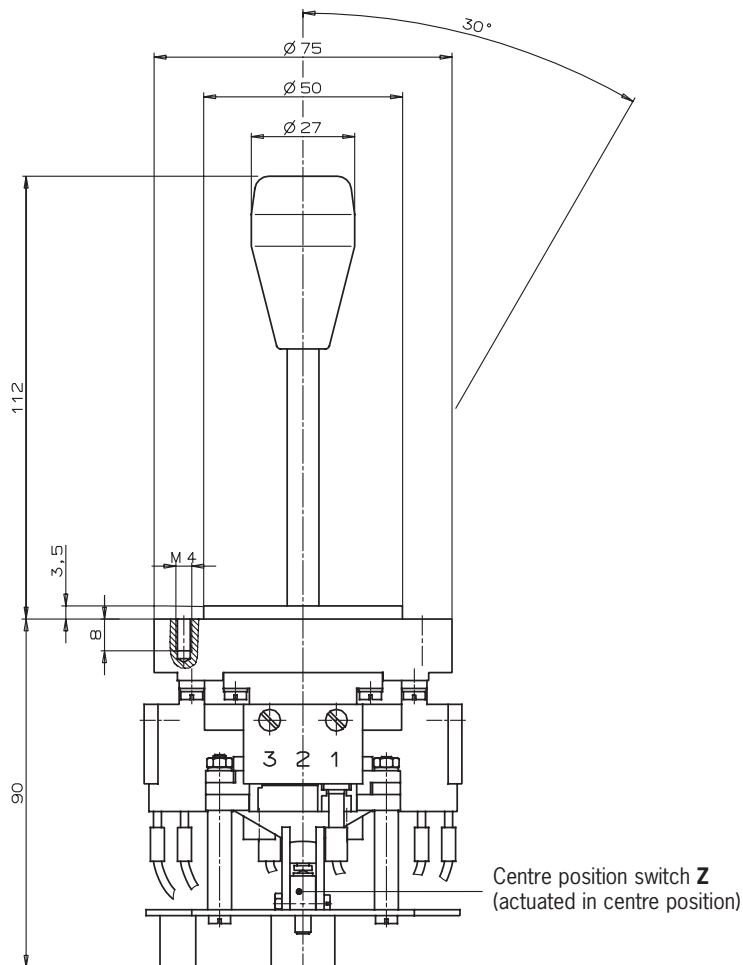
KCB4E4E4E4E5678DW

Series KP...

Analog Joystick

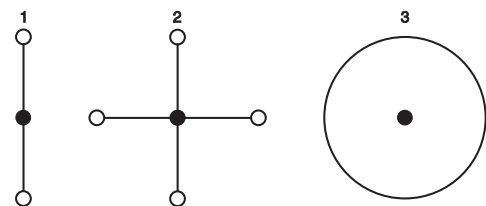
- ▶ control panel installation at rear or with front plate
- ▶ Analog, proportional output signals
- ▶ Control variants with 1 and 2 axes or 2 axes simultaneously
- ▶ Centre position switch
- ▶ Pushbutton in handle

Dimension drawing



Control versions

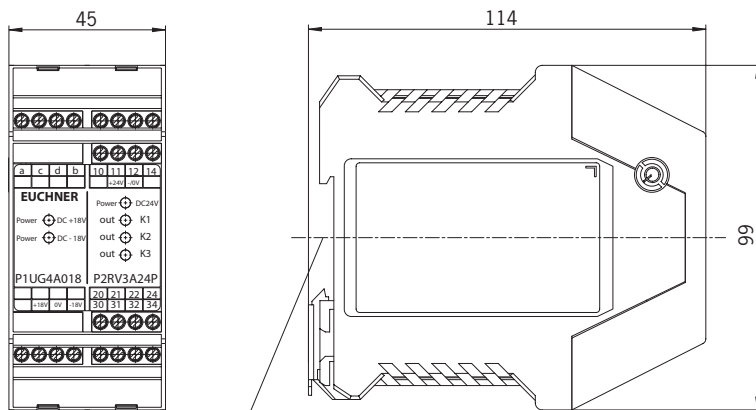
- Versions 1 = 1 axis
- Versions 2 = 2 axes
- Versions 3 = 2 axes simultaneously (only spring return version)



Technical data

Parameters	Value	Unit
Housing material	glass-fibre reinforced thermoplastic / aluminum	
Switching lever material	galvanized steel	
Degree of protection to IEC 529 on actuating side with / without bellows	IP65 / IP50	
Mounting method	control panel installation at rear or with front plate	
Weight	approx. 0.75	kg
Mechanical life	1x10 ⁶ switching cycles	
Ambient temperature with spring return switch	-5 to +65	°C
Ambient temperature with stayput switch	-25 to +65	°C
Max. number of switching elements	1 per direction	
Connection type	screw terminal on PC board	
Contact elements	changeover contact C IEC 947-5-1	
Switching principle	snap-action switch	
Rated insulation voltage U _i	50	V
Contact material	silver alloy	
Input voltage of resistance element	± 18	V=
Output voltage of resistance element	± 10	V=
Max. number of actuating directions	1 axis, 2 axes or 2 axes simultaneously	
Stayput switch S (latching)	according to type designation	
Spring return switch T	according to type designation	
Bellows W, X	Option	
Interlock V in centre position	Option	
Centre position switch Z	Option	
Pushbutton D	Option	
Degree of protection to IEC 529	IP65	
Electrical life	5x10 ⁴ switching cycles at 0.7 A / 250 V AC	
Contact elements	1 x NO contact	
Utilization category AC 15	230 V / 2 A	
Utilization category DC 13	24 V / 1 A	
Min. switching current at 24 V	12	mA
Min. switching voltage	10	V
Actuating force	< 8	N
Actuating travel	approx. 3	mm

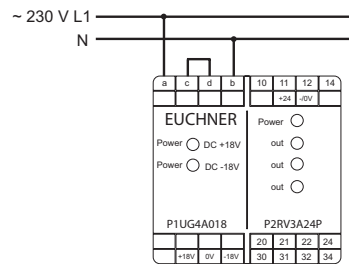
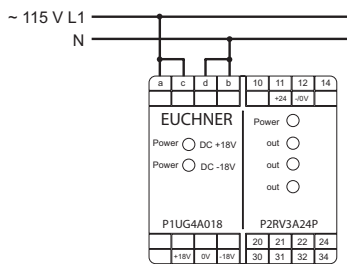
Universal Power Supply Unit P1/P2 Order No. 096 645



suitable for DIN rail according to DIN EN 50022-35

Connection to power supply

with AC 115 V or AC 230 V

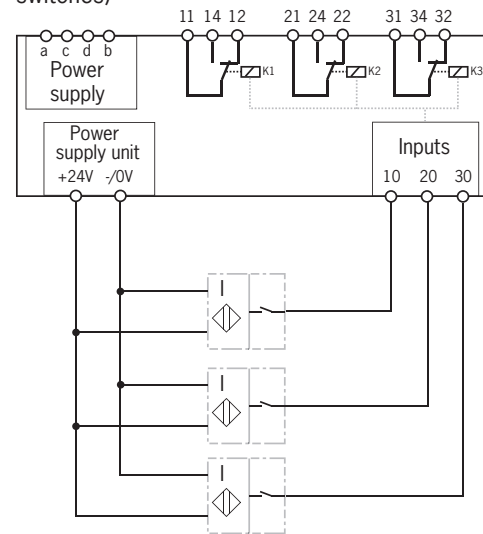


The universal power supply unit P1/P2 comprises the unit P1UG4A018 (P1) for the supply of the EUCHNER series KP joystick.

The unit P2RV3A24P (P2) is used as a switch amplifier for the connection of three inductive proximity switches or single hole fixing limit switches. In addition, it can also be used as a simple power supply. The units can be operated separately or together.

Use as switch amplifier

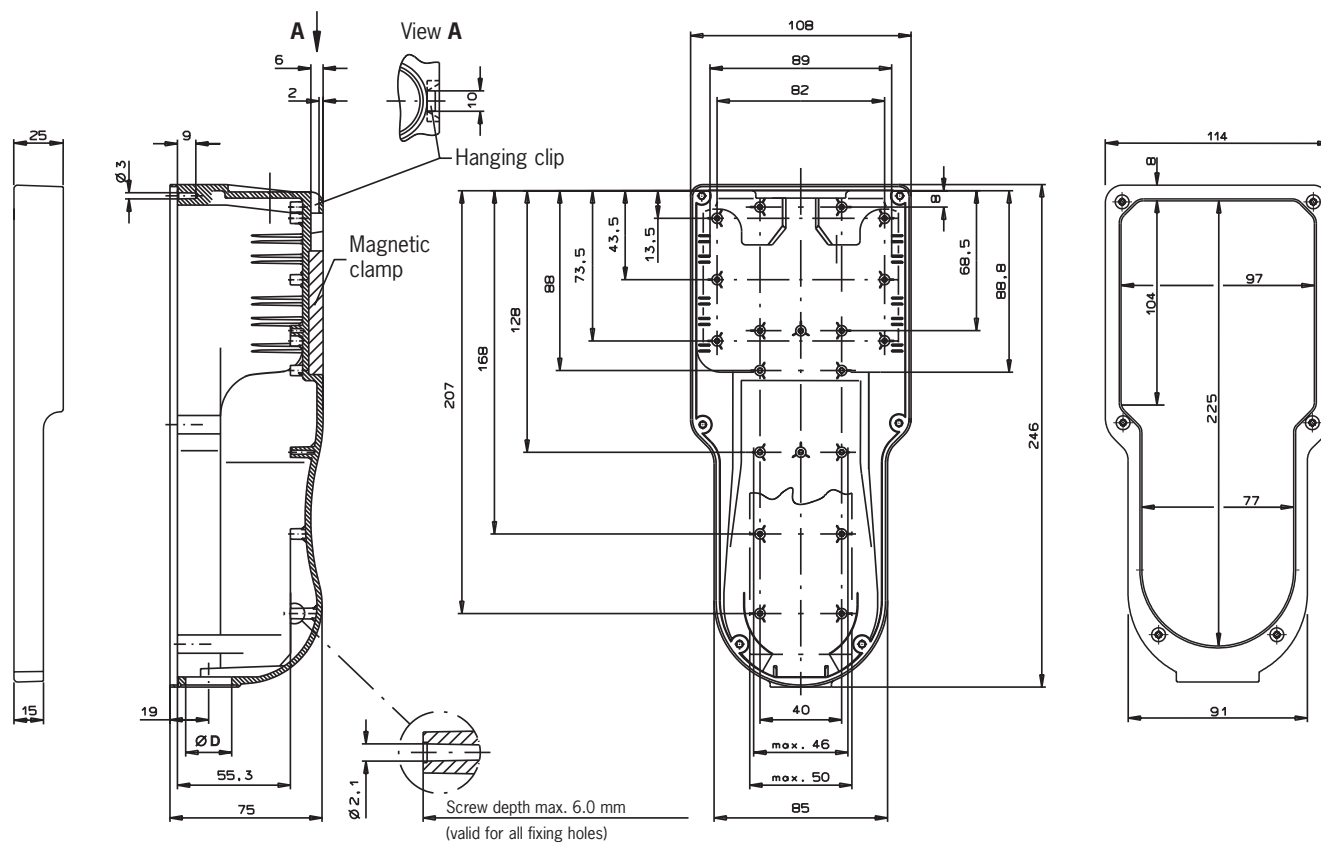
(connection example with inductive proximity switches)



Parameter	Value	Unit
Housing material	Polyamide PA6.6	
Degree of protection acc. to EN/IEC 60529	IP 20	
Ambient temperature at $U_B = DC 24 V$	-15 ... +55	°C
Storage temperature	-25 ... +70	°C
Degree of contamination (external)	2 (acc. to EN 60947)	
Material group	II	
Mounting	DIN rail 35 mm according to DIN EN 50022-35	
Weight	0.4	kg
Connection type	Connection terminals	
Conductor cross-section	0.14 ... 2.5	mm ²
Primary voltage	AC 115 V ± 10 % AC 230 V ± 10 %	
Line frequency	50 ... 60	Hz
External fuse (transformer, electrically isolated)	2 x 160 mA, slow blow	
Max. power consumption, P1 and P2 together	5.4	VA
P1UG4A018		
Output voltage, regulated	DC -18 V and DC +18 V	
Load current I_{max}	50	mA
Power consumption	5.4	VA
P2RV3A24P		
Control circuit voltage at I_{max}	24	DC V
I (nominal current)	30	DC V
Power consumption	2.7	VA
Control current I_{max}	70	mA
Output contacts	3 NC 3 NO	
Max. switching voltage	250	AC/DC V
Max switching current	4	A
Breaking capacity		
AC	500	VA
DC	50	W

Housing HBL

Dimension drawing



Note

- ▶ 2 versions for different cable glands

Design	Ø D
PG 11	19
PG 13.5	20.8

Technical data

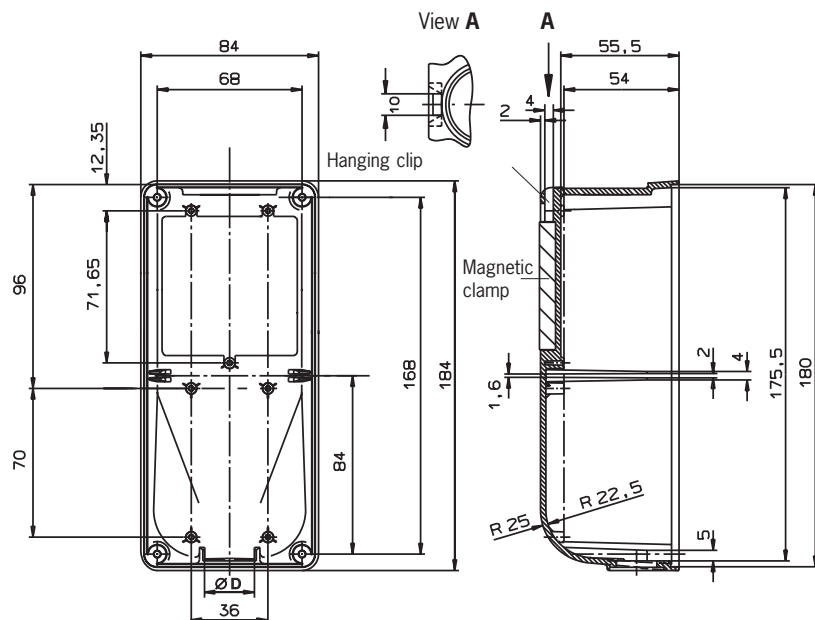
Parameters	Value	Unit
Housing HBL		
Material	Polyamide	
Color	blue-grey RAL 7031	
Ambient temperature	0 to +55	°C
Degree of protection to EN 60529	to IP 65	
Weight	approx. 0.4	kg

Ordering table

Design	Type designation	Order No.
PG 11	Housing HBL, with magnetic clamp, hanging clip, fixing nut for heavy gauge cable gland PG 11, 6 screws for front plate attachment, cover frame	073 098
PG 13.5	Housing HBL, with magnetic clamp, hanging clip, fixing nut for heavy gauge cable gland PG 13.5, 6 screws for front plate attachment, cover frame	072 630

Housing HBE

Dimension drawing



Notes

- ▶ 2 versions for different cable glands

Design	Ø D
PG 11	19
PG 13.5	20.8

Technical data

Parameters	Value	Unit
Housing HBE		
Material	Polyamide	
Color	blue-grey RAL 7031	
Ambient temperature	0 to +55	°C
Degree of protection to EN 60529	to IP 65	
Weight	0.3	kg

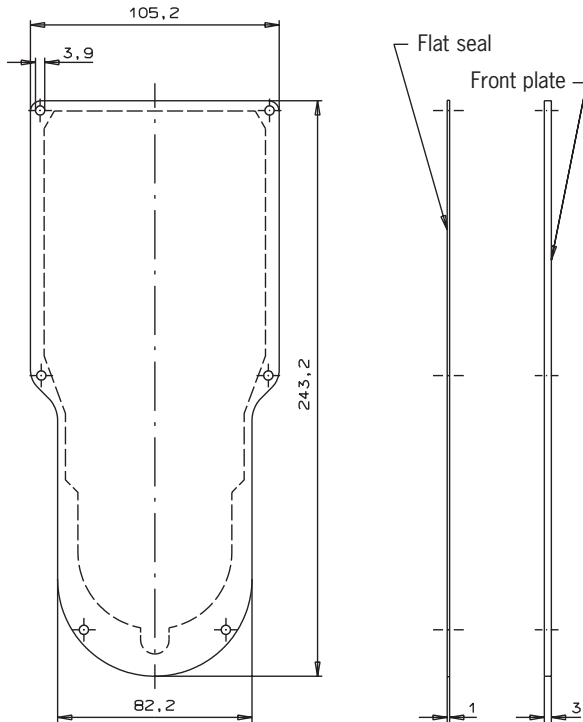
Ordering table

Design	Type designation	Order No.
PG 11	Housing HBE, with magnetic clamp, hanging clip, fixing nut for heavy gauge cable gland PG 11, 4 screws for front plate attachment	048 429
PG 13.5	Housing HBE, with magnetic clamp, hanging clip, fixing nut for heavy gauge cable gland PG 13.5, 4 screws for front plate attachment	072 626

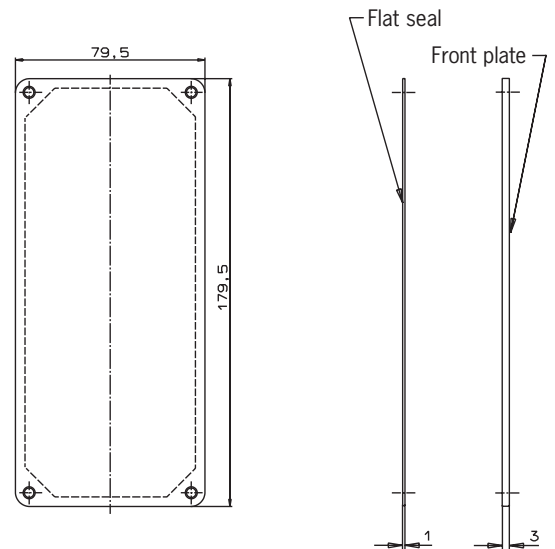
Front plates for housing HBL and HBE

Dimension drawing

Front plates HBL



Front plates HBE



Technical data

Material	
Material front plate	electro-anodized aluminum, black
Material seal	NBR, self-adhesive on one side

Ordering table

Type designation	Order No.
Front plate for HBL housing, with seal	055 967
Front plate for HBE housing, with seal	052 954

Representation international

Australia

Micromax Pty. Ltd.
PO Box 1238
AUS:Wollongong
NSW Australia 2500
Tel. +61 (0) 2 4271 1300
Fax +61 (0) 2 4271 8091
micromax@micromax.com.au

Austria

EUCHNER Ges. mbH
Süddruckgasse 4
A-2512 Tribuswinkel
Tel. +43 (0) 22 52 4 21 91
Fax +43 (0) 22 52 4 52 25
info@euchner.at

Benelux

EUCHNER (BENELUX) B.V.
Postbus 119
NL-3350 AC Papendrecht
Tel. +31 (0) 78 6 15 47 66
Fax +31 (0) 78 6 15 43 11
info@euchner.nl

Brazil

EUCHNER Itda.
Av. Prof. Luiz Ignacio Anhaia
Mello no. 4387
S. Lucas
São Paulo SP Brasil
CEP 03295-000
Tel. +55 (0) 11 69 18-22 00
Fax +55 (0) 11 61 01-06 13
euchner@euchner.com.br

Canada

IAC & Associates Inc.
1925 Provincial Road
Windsor, Ontario N9A 6J3
Tel. +1 (5 19) 966-3444
Fax +1 (5 19) 966-6160
sales@iacnassociates.com

China

EUCHNER Electric Shanghai Ltd.
No. 8 Workshop, Hi-Tech Zone
N. 503 MeilengDa Road
Songjiang Industrial Zone
Shanghai
Tel. +86 (0) 21 5774 7090
+86 (0) 21 5774 7091
Fax +86 (0) 21 5774 7599
info@euchner.com.cn

Knowhow I&C Co.

C-2204 Webok Times Center
No. 17 Zhongguancun Nandajie
Beijing, 100081
Tel. +86 10 8857 8899
Fax +86 10 8857 8989
info@knowhow.cn

Czech Republic

Amtek spol s.r.o.
Videňská 125
CZ-619 00 Brno
Česká republika
Tel. +420 5 47 12 55 70
Fax +420 5 47 12 55 56
amtek@amtek.cz

Denmark

Robotek EL & TEKNIK A/S
Blokken 31, Postboks 30
DK-3460 Birkerød
Tel. +45 44 84 73 60
Fax +45 44 84 41 77
info@robotek.dk

Eastern Europe

Hera Handels Ges. mbH
Hauptstraße 61
A-2391 Kallieutgeben
Tel. +43 (0) 22 38 7 75 18
Fax +43 (0) 22 38 7 75 28
hera@telering.at

Finland

Sähkölehto Oy
Lehto & Co.
Holkkitie 14
FIN-00880 Helsinki
Tel. +358 (0) 9 774 6420
Fax +358 (0) 9 759 1071
office@sahkolehto.fi

France

EUCHNER France S.A.R.L.
Immeuble Le Colorado
ERAGNY PARC
Rue Rosa Luxembourg
Parc d'affaires des Bellevues
F-95610 ERAGNY sur OISE
Tel. +33 (0) 1 39 09 90 90
Fax +33 (0) 1 39 09 90 99
info@euchner.fr

Hong Kong

Imperial Engineers &
Equipment Co. Ltd.
Unit B 12th Floor
Cheung Lee Industrial Building
9 Cheung Lee Street
HK-Chaiwan, Hong Kong
Tel. +8 52/28 89 02 92
Fax +8 52/28 89 18 14
ieechk@netvigator.com

Hungary

EUCHNER Ges.mBH
Magyarországi Fióktelep
H-2045 Törökbálint
Tópark utca 1/a
Tel. +36/23/428 374
Fax +36/23/428 375
info@euchner.hu

India

Teknic Controlgear PVT Ltd.
703, Madhava,
Bandra Kurla Complex
Bandra East
IND-Mumbai 400051
Tel. +91-22 2659 2392
+91-22 2659 2394
Fax +91-22 2659 2391
teknic@vsnl.com

Iran

INFOCELL IRAN Co.
84, Manoucheri Ave.,
P.O. Box 81655-861, Isfahan, IRAN
Tel. +98 311 221 1358
Fax +98 311 222 6176
info@infocell-co.com

Italy

TRITECNICA S.r.l.
Viale Lazio 26
I-20135 Milano
Tel. +39 02 54 194-1
Fax +39 02 55 01 04 74
info@tritecnica.it

Japan

Solton Co. Ltd.
2-13-7, Shin-Yokohama
Kohoku-ku, Yokohama
Japan 222-0033
Tel. +81 (0) 45 4 71 77 11
Fax +81 (0) 45 4 71 77 17
sales@solton.co.jp

Korea

EUCHNER Korea Ltd.
RM 810 Daerung Technotown
#448 Gasan-Dong
Kumchon-Gu, Seoul
Tel. +82 (02) 2107 3500
Fax +82 (02) 2107 3999
sijang@euchner.co.kr

Mexico

SEPIA S.A. de C.V.
Maricopa # 10
302, Col. Napoles.
Del. Benito Juarez
MEX-03810 Mexico D:F:
Tel. +52 (5) 6822 347
Fax +52 (5) 5367 787
sepia@prodigy.net.mx

New Zealand

WAF, W. Arthur Fisher
11 Te Apunga Place
Mt. Wellington
Auckland, New Zealand
Tel. +64 (0) 9 270 0100
Fax +64 (0) 9 270 0900
christl@waf.co.nz

Norway

ELIS ELEKTRO AS
Jericoveien
N-1067 Oslo
Tel. +47 (22) 90 56 70
Fax +47 (22) 90 56 71
post@eliselektro.no

Poland

ELTRON
pl. Wolności 7 B
PL 50-071 Wrocław
Tel. +48 (0)71 343 97 55
Fax +48 (0)71 343 96 64
LP@eltron.pl

Portugal

PAM – Serviços Técnicos
Industriais, Lda
Rua Senhora da Alegria 188
P-4785 Alvarelhos STS
Tel. +3 51 (0) 22 98 27 518
Fax +3 51 (0) 22 98 27 519
pam@mail.telepac.pt

Singapore

SENTRONICS
Automation and Marketing Pte Ltd
Blk 3021 Ubi Avenue 2
03-169
SGP-Singapore 408897
Tel. +65/6744 8018
Fax +65/6744 1929
sentronics@pacific.net.sg

Slovenia

SMM d.o.o.
Production Systems Ltd.
Jaskova 18
SLO-2001 Maribor
Slovenia
Tel. +386 (0)2 450 23 26
Fax +386 (0)2 462 51 60
franc.kit@smm.si

Spain

EUCHNER, S.L.
Gurutzezi 12 - Local 1
Polígono Belartza
E-20018 San Sebastián
Tel. +34 (9 43) 31 67 60
Fax +34 (9 43) 31 64 05
euchner@edunet.es

Sweden

Censit AB
Box 331
S-33123 Värnamo
Tel. +46 (0) 3 70 69 10 10
Fax +46 (0) 3 70 188 88
info@censit.se

Switzerland

EUCHNER AG
Ing- und Vertriebsbüro
Großstraße 17
CH-8887 Mels/St. Gallen
Tel. +41 (0) 81 7 20 45 90
Fax +41 (0) 81 7 20 45 99
euchner.schweiz@bluewin.ch

Taiwan

Daybreak International
(Taiwan) Corp.
3 Fl., 124 Chung-Cheng Road
Shihlin
Taipei, Taiwan
Tel. +8 86 (0) 2 8 866 1231
Fax +8 86 (0) 2 8 866 1239
day111@ms23.hinet.net

Turkey

ARI Endustri Urunleri SAN.ve TIC.LTD.STI.
Perpa Ticaret Merkezi
A Blok Kat 11, No: 1406
TR-34384 Okmeydani / Sisli-Hstanbul
Tel. +90 212 320 43 34
Fax +90 212 320 22 21
kerem@ariendustri.com.tr

United Kingdom

EUCHNER (U.K.) Ltd.
Unit 2, Petre Drive,
GB-Sheffield, S4 7PZ
Tel. +44 (0) 1 14 2 56 01 23
Fax +44 (0) 1 14 2 42 53 33
info@euchner.co.uk

USA

EUCHNER USA Inc.
6723 Lyons St.
USA- E. Syracuse, NY 13057
Tel. +1 (3 15) 7 01-03 15
Fax +1 (3 15) 7 01-03 19
info@euchner-usa.com

