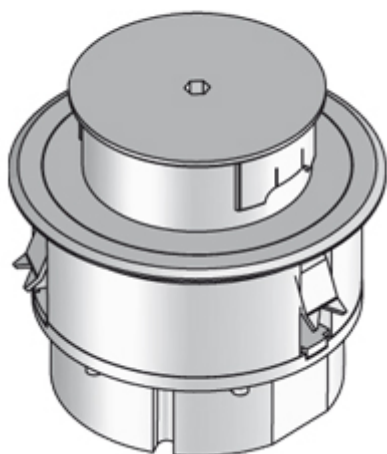


BODO N

Single outlet with floor box and data module, wet-maintenance, round



Round single outlet with floor cover protection frame. Including pivotable tube as cable outlet, cover, device cup with strain-relief, claw set and rubber seal. For the installation in screed and raised floor openings or into hollow floor openings. Equipped with an isolated ground receptacle of 45x45 mm and an RJ45 data socket of 22,5x45 mm (Legrand type Cat. 6A STP RJ45, 76573). Suitable for rooms with dry and wet maintenance floor covers. Designed for high traffic loads.

Please mind the technical information in chapter planning.



material	Tube, cover and tube collet: aluminium or stainless steel / frame and device cup: plastic material
type of assembly	Fixing on floor box UBDHB / rough concrete floor and installation in screed or false floor
application area	wet floor cleaning
norm	acc. to DIN EN 50085
permits	according to VDE / TÜV
protection class	in use IP 22 / in use with rubber sleeve UGM1-3 IP 43 / not in use IP 66
loading	including inspection stamp Ø 130 mm: 15 kN

Aluminium

Product	height	Minimum installation height	width	fitting dimension	Maximum load	colour	weight	IP protection level in used condition	IP protection level in unused condition
BODO N	122 mm	87 mm	140 mm	122 mm	15 kN	aluminum	0.74 kg	IP 43	IP 66
BODO N-CR	122 mm	87 mm	140 mm	122 mm	15 kN	chromed aluminium	0.74 kg	IP 43	IP 66
BODO N-CU	122 mm	87 mm	140 mm	122 mm	15 kN	copper	0.74 kg	IP 43	IP 66
BODO N-GO	122 mm	87 mm	140 mm	122 mm	15 kN	Gold	0.74 kg	IP 43	IP 66



PRODUCT INFORMATION



Product	height	Minimum installation height	width	fitting dimension	Maximum load	colour	weight	IP protection level in used condition	IP protection level in unused condition
BODO N-MS	122 mm	87 mm	140 mm	122 mm	15 kN	brass	0.74 kg	IP 43	IP 66

Brass

Product	height	Minimum installation height	width	fitting dimension	Maximum load	colour	weight	IP protection level in used condition	IP protection level in unused condition
BODO N-MMS	122 mm	87 mm	140 mm	122 mm	15 kN	solid brass	0.74 kg	IP 43	IP 66

Aluminium

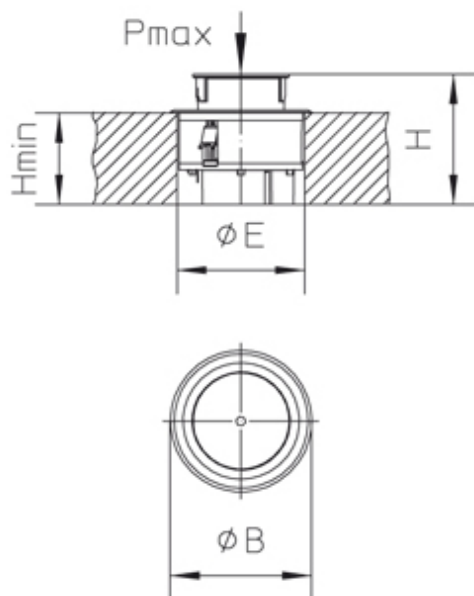
Product	height	Minimum installation height	width	fitting dimension	Maximum load	colour	weight	IP protection level in used condition	IP protection level in unused condition
BODO N-SW	122 mm	87 mm	140 mm	122 mm	15 kN	black	0.74 kg	IP 43	IP 66
BODO N-TI	122 mm	87 mm	140 mm	122 mm	15 kN	Titan	0.74 kg	IP 43	IP 66

Stainless steel, according to ASTM 304 / BS 304 S 3

Product	height	Minimum installation height	width	fitting dimension	Maximum load	colour	weight	IP protection level in used condition	IP protection level in unused condition
BODO N-E	122 mm	87 mm	140 mm	122 mm	15 kN	Stainless steel	2.06 kg	IP 43	IP 66



DETAILS / APPLICATIONS



OPTIONAL ACCESSORIES

USK R122, UBDHB 122R



wet maintenance

